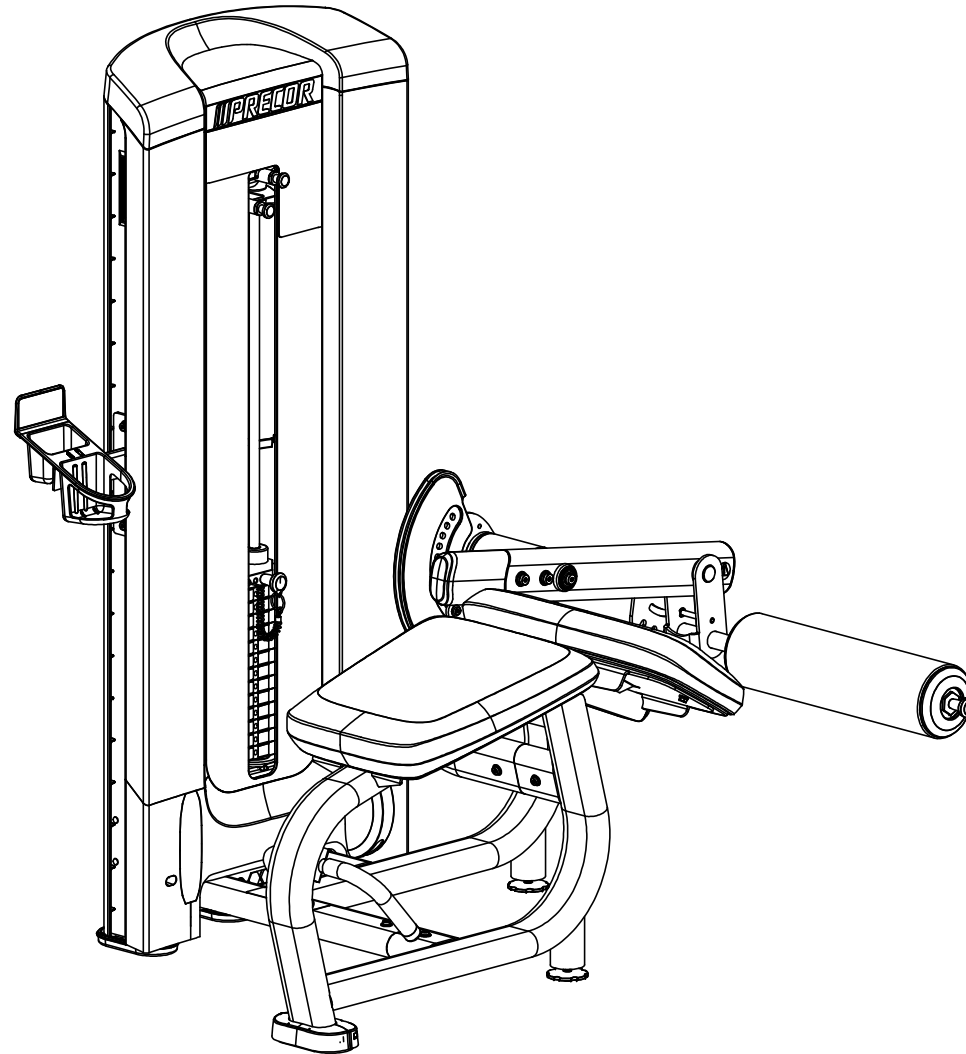


NOTES:

1. THIS LABEL IS FURNISHED AS PART OF A LABEL KIT. ORDER REPLACEMENT LABEL KITS AS FOLLOWS:

ENGLISH - BUBBLE #201  
CHINESE - BUBBLE #202  
FRENCH - BUBBLE #203  
GERMAN - BUBBLE #204  
JAPANESE - BUBBLE #205  
SPANISH - BUBBLE #206  
DUTCH - BUBBLE #207  
PORTUGUESE - BUBBLE #208  
RUSSIAN - BUBBLE #209  
HEBREW - BUBBLE # 210  
ITALIAN - BUBBLE #211



C606EC - PRONE LEG CURL

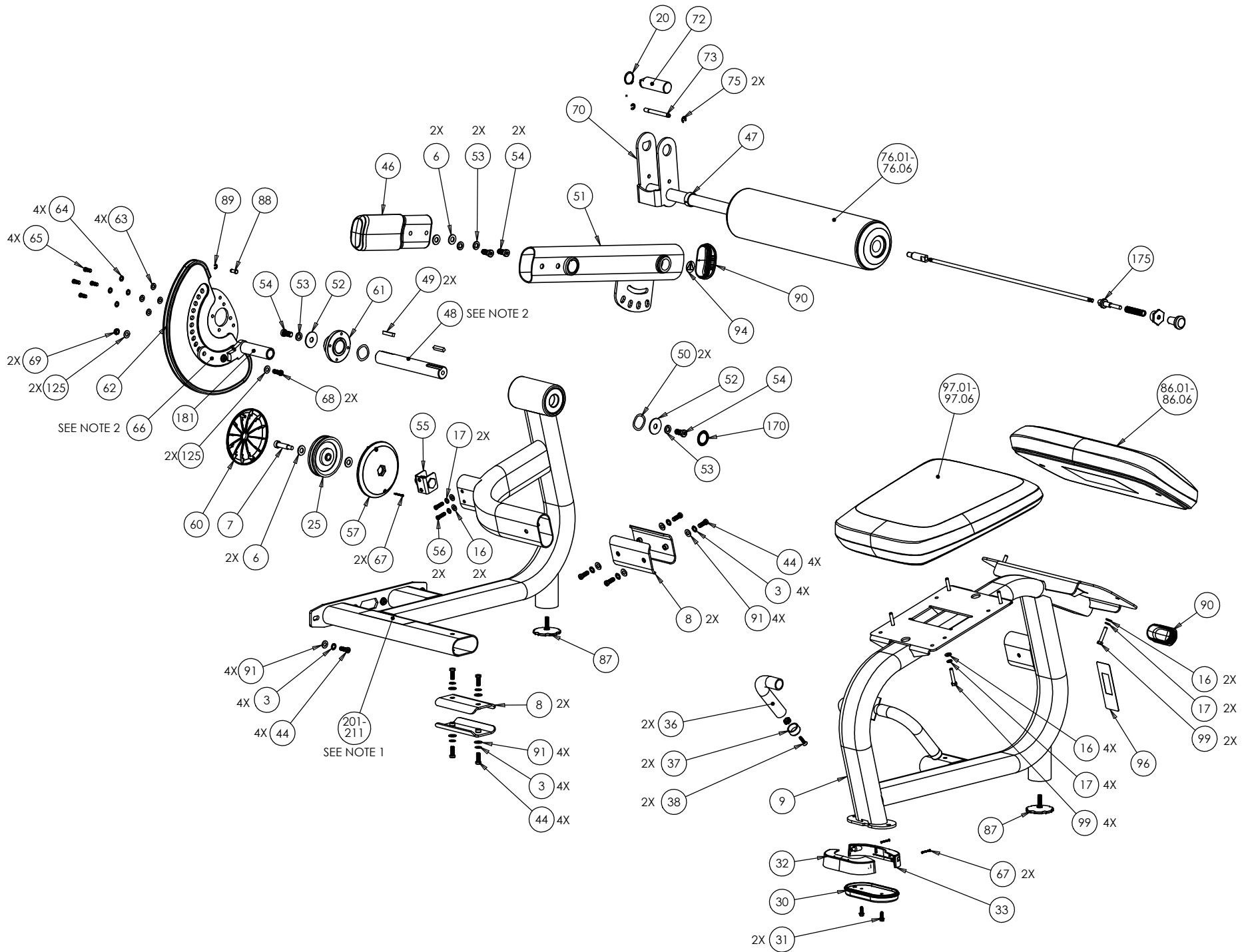
P/N : CW34131-101

SUBREV : L

DRAWN BY : C THOMSON

DATE : 29 FEB 2012

SHEET 1 OF 5

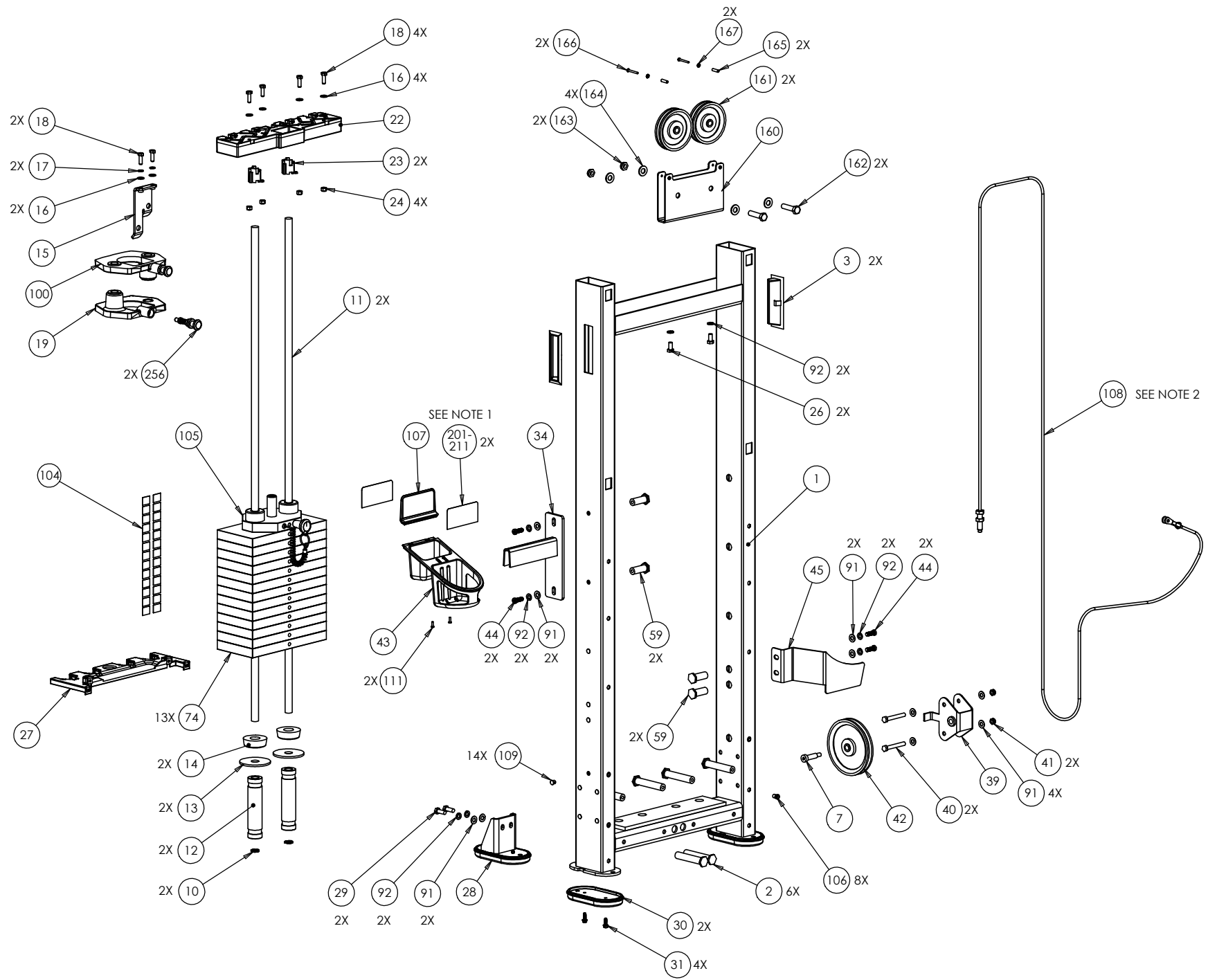


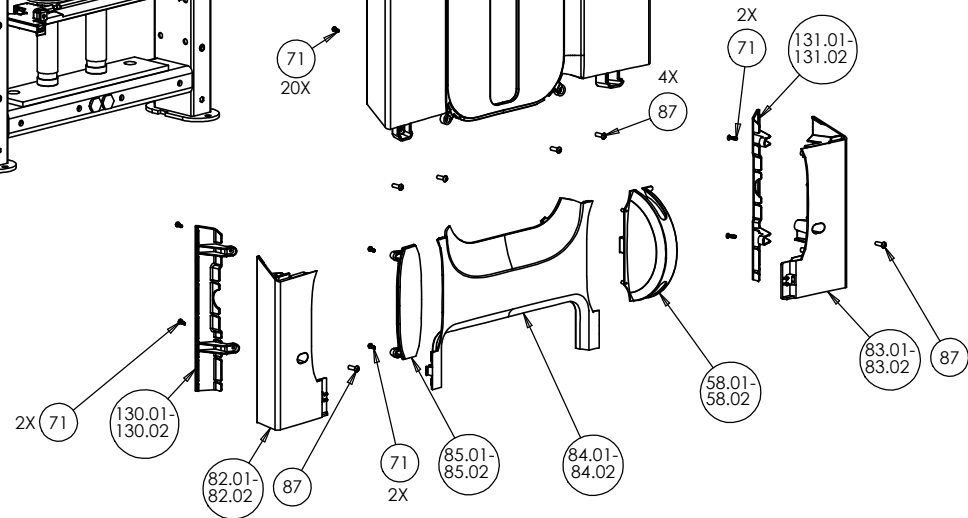
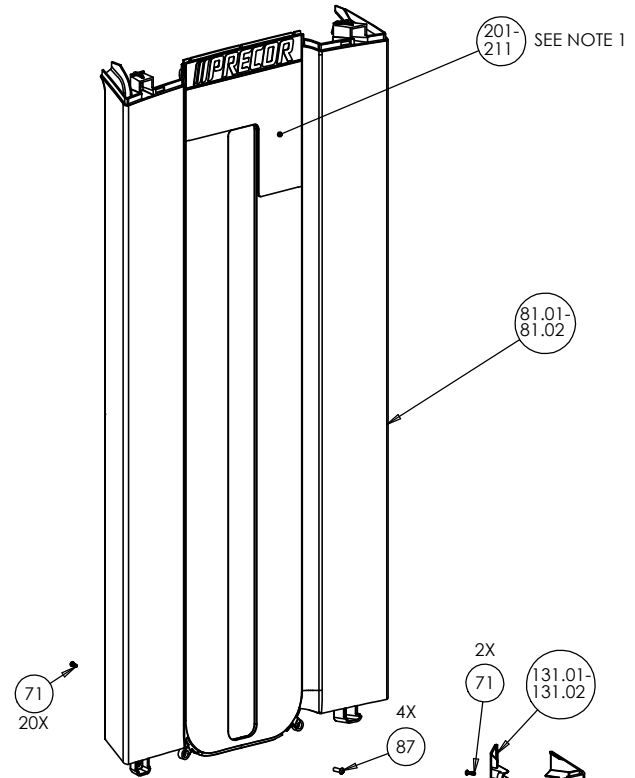
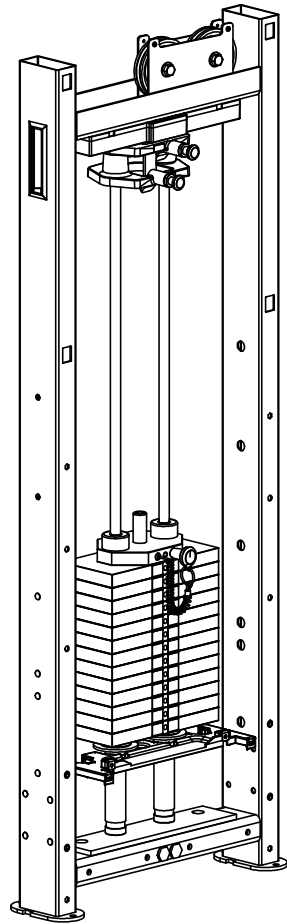
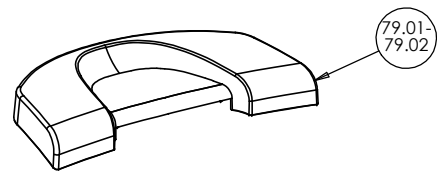
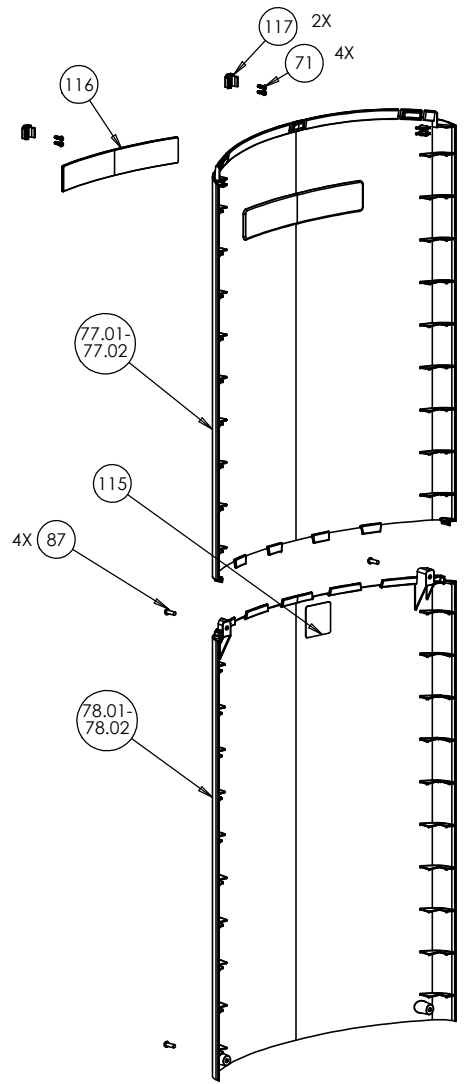
NOTES:

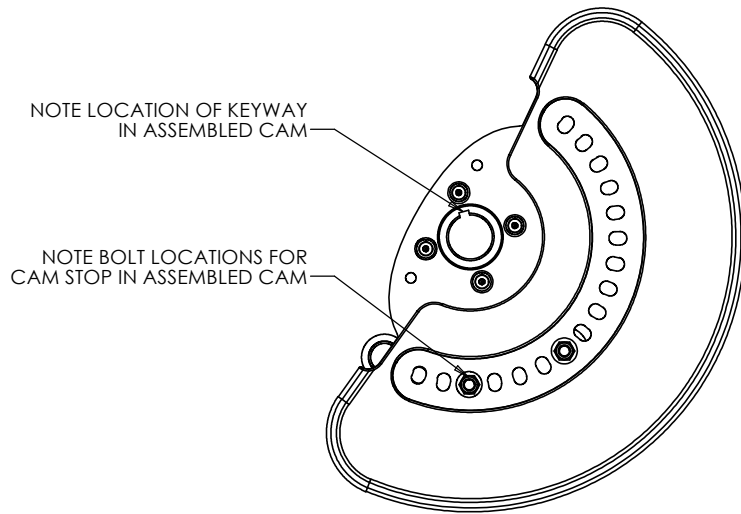
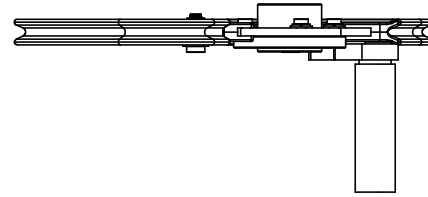
2. UNITS BUILT PRIOR TO 04/04/2012, ORDER PARTS KIT BUBBLE NUMBER 258

PAGE OF	DWG. NO.	SUBREV
2 5	CW34131-101	L

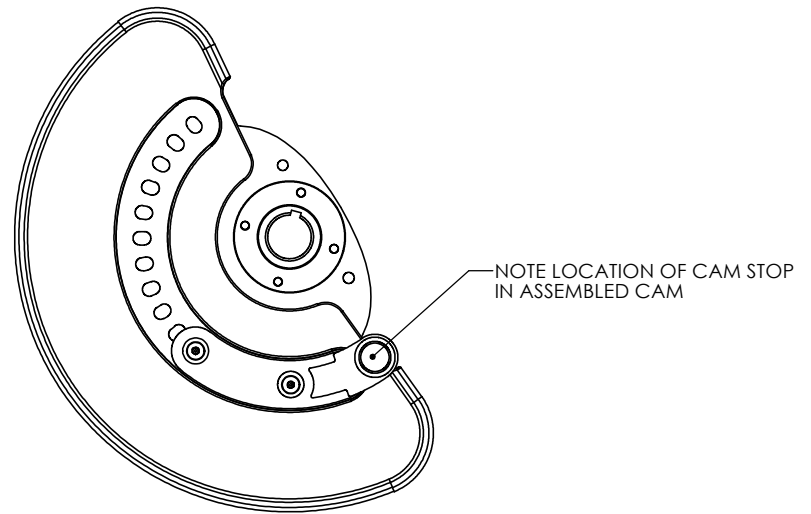








**RIGHT VIEW OF ASSEMBLED CAM**



**LEFT VIEW OF ASSEMBLED CAM**

### C606EC, Prone Leg Curl, C-Line

Part Number	Description	Bubble Number
CW33767-103	WLDMT, WEIGHT TOWER, SHORT,PTD	1
CW33991-101	WEIGHT TOWER BOLT ON, LONG	2
CW34067-101	PLASTIC RECESSED HANDLE	3
CWWATCN038-032	WASHER, LK, INT. TOOTH, .375	3
CW50242-101	ASSEMBLY, MAIN FRAME, PRONE LEG CU	4
CWWBCN050-010	WASHER, FLAT, TYPE A, NARROW, 1/2 I	6
CWRANN038-150	BOLT, SHOULDER, 3/8-16 X 1/2 X 1 1/	7
CW33880-101	FORMED,PLATE, .19 THICK,DOUBLE-D CO	8
CW50243-101	ASSEMBLY, SEAT FRAME, PRONE LEG CU	9
CW12651-101	WAVE SPRING, .85 OD X .66 ID X .17	10
CW33994-101	BAR, .750 DIA, SHORT GUIDE ROD	11
CW33633-101	BAR, 1.50 DIA, WEIGHT STACK RISER	12
CW33894-101	WASHER, BUMPER BACKING	13
CW12402-101	BUMPER, ID 1.050, BLK RUBBER	14
CW33967-102	PLATE, .19 THICK, DRP DW WT MNT	15
CWWALCN031-008	WASHER, SPLIT, 5/16 ID, ZN	17
CWHCCN031-100	SCREW, HEX, GR 5, 5/16-18 X 1.0, ZN	18
CW33966-102	ASSEMBLY, CAST DROP DOWN,BOTTOM	19
CWAACN125-005	RETAINING RING, EXTERNAL 1.250 DIA	20
CW33870-104	ASSEMBLY, 5" WEIGHT STACK PIN & LEA	21
CW34014-101	UPPER GUIDE ROD SUPPORT	22
CW34015-101	UPPER GUIDE ROD LOCK	23
CWKACN031-016	LOCKNUT,HALF, 5/16-18,ZN	24
CWAC1009-101	PULLEY, 4 1/2 DIA X 1/2 ID	25
CWHCCN038-075	SCREW, HEX, CLR. CLR. ZINC, 3/8-16	26
CW34367-101	LOWER COVER SUPPORT ASSY	27
CW34380-101	ASSY, STABILITY FOOT	28
CWHCCN038-100	SCREW, HEX, CLR ZINC, 3/8-16 X 1.00	29
CWPLCN025-075	SLOTTED, HEX, WASHER, HEAD, 1/4-20	31
CW34061-103	FOOT COVER FRONT, 15 DEGREES SHORT	32
CW34061-104	FOOT COVER BACK, 15 DEGREES SHORT	33
CW34364-101	WLDMT, WATER BOTTLE HOLDER	34
CWGR4610-000	GRIP, RUBBER, 1.00" OD HANDLE, 10.0	36
CW34091-101	HANDLE END CAP, ALUM,	37
CWMACMN025-100	SCREW, FLT HEAD, SOCKET, MECH CLR Z	38
CW33773-101	WLDMT, WS BASE PULLEY	39
CWHCCN038-275	SCREW, HEX, CLR. ZINC, 3/8-16 X 2 3	40
CWKACN038-027	LOCKNUT,HALF, 3/8-16, ZN	41
CWAC1010-101	PULLEY, 6 DIA X 1/2 ID	42
CW34787-101	WATER BOTTLE HOLDER, WEIGHT STACK	43
CWCPMN038-100	SCREW, SCKT LW HD, MCH CLR ZI,3/8-1	44
CW34130-101	FORMED SHEET, 11 GA (.12), PULL IN	45
CW33890-101	COUNTER WEIGHT, 17.5 LBS.	46
CW34039-101	ASSY,HANDLE RETAINING RING,1.29 ID	47
CW35152-101	BAR, 1 3/8 DIA, PIVOT SHAFT, 45 DEG	48
CW10220-101	KEY, SQUARE, 5/16 X 1-1/2	49
CWWAHNN140-002	WASHER,WAVE, 1.40 ID, 1.82 OD, .02	50
CW34846-101	ASSY, PIVOT ARM, PRONE LEG CURL	51

CWWABCN050-010	WASHER, FENDER, 1/2 ID X 1 3/4 OD,	52
CWWALCN050-013	WASHER, SPLIT, 1/2 ID, CLR ZINC	53
CWCMPMN050-100	SCREW, SCKT LW HD, MCH CLR ZI,1/2-1	54
CW34356-102	WLDMT,PULLEY DFLCTR, PRONE LEG CURL	55
CWCMPMN031-100	SCREW, SCKT LW HD, MCH CLR ZI,5/16-	56
CW33997-110	4.5" PULLEY COVER, HEX MOUNT, BACK	57
CW34012-103	PULLEY COVER, 6 INCH, SILVER GRAY	58.01
CW34012-104	PULLEY COVER, 6 INCH, AMAZON STONE	58.02
CW33991-102	WEIGHT TOWER BOLT ON, SHORT	59
CW33997-107	4.5" PULLEY COVER, HEX MOUNT, FRONT	60
CW33754-101	BAR, 3.50 DIA. X 1.50	61
CW33932-101	CAM, MOLDED PULLEY	62
CWWBTN031-007	WASHER, FLAT, TYPE A, SAE, 5/16 ID	63
CWWALYN031-008	WASHER, SPLIT, 5/16 ID, BL	64
CWCPTN031-075	SCREW, SOCKET LOW HEAD, BLACK SHARP	65
CW35313-101	ASSEMBLY, OFFSET CAM STOP	66
CWPMTN016-125	SCREW, SELF TAPPING,#8 X 1 1/4 PHIL	67
CWCPTN038-100	SCREW, SOCKET LOW HEAD, SHARPERIZED	68
CWKATN038-027	LOCKNUT,HALF, 3/8-16, SHARPERIZED B	69
CW50266-101	ASSY, ANKLE PAD BAR, LEG EXT/CURL	70
CWPMTN016-063	SCREW, SELF TAPPING,#8 X 5/8 PHIL,	71
CW33886-103	BAR,STEEL,RND 1.25 DIA,PIVOT SHAFT	72
CW33882-101	BAR,RND,.375 DIA,STOP PIN	73
CW34292-101	ASSEMBLY, WEIGHT PLATE, RECTANGULAR	74
CWAECN037-004	E-RING, EXTERNAL, .375 DIA., .004 T	75
CWPD4015-101	LARGE ROLLER PAD, RENOVO, BLACK	76.01
CWPD4015-114	LARGE ROLLER PAD, RENOVO, CUSTOM	76.02
CWPD4015-118	LARGE ROLLER PAD, RENOVO, IMP BLUE	76.03
CWPD4015-122	LARGE ROLLER PAD, RENOVO, PAPRIKA	76.04
CWPD4015-131	LARGE ROLLER PAD, RENOVO, MAHOGANY	76.05
CW34072-101	ASSY, BACK TOP SHROUD, SHORT, PACIF	77.01
CW34072-102	ASSY, BACK TOP SHROUD, SHORT, DARK	77.02
CW34375-101	ASSY,COVER, BACK, LOWER, SHORT, PAC	78.01
CW34375-102	ASSY,COVER, BACK, LOWER, SHORT, DAR	78.02
CW33947-103	COVER, TOP	79.01
CW33947-104	COVER, TOP, AMAZON STONE	79.02
CW34005-103	ASSY, WINDOW BASE SHROUD, SHORT, SI	81.01
CW34005-104	ASSY, WINDOW BASE SHROUD, SHORT, AM	81.02
CW34343-101	CORNER COVER ASSY, LEFT, SILVER GRA	82.01
CW34343-103	CORNER COVER ASSY, LEFT, AMAZON STO	82.02
CW34343-102	CORNER COVER ASSY, RIGHT, SILVER GR	83.01
CW34343-104	CORNER COVER ASSY, RIGHT, AMAZON ST	83.02
CW33945-101	COVER, CENTER	84.01
CW33945-102	COVER, CENTER, AMAZON STONE	84.02
CW34013-101	PLUG, PULLEY, SILVER GRAY	85.01
CW34013-102	PLUG, PULLEY, AMAZON STONE	85.02
CWPD4000-101	ELBOW PAD, RENOVO, BLACK	86.01
CWPD4000-114	ELBOW PAD, RENOVO, CUSTOM	86.02
CWPD4000-118	ELBOW PAD, RENOVO,IMP BLUE	86.03
CWPD4000-122	ELBOW PAD, RENOVO,PAPRIKA	86.04
CWPD4000-131	ELBOW PAD, RENOVO, MAHOGANY	86.05

CW39916-103	FOOT, ADJUSTING, NO LOGO	87
CWTATN025-075	SCREW, BUTTON HEAD, SHARPERIZED BLK	87
CW34252-101	PIN, CLEVIS W/ GROOVE, 5/16 DIA	88
CWAECN031-003	E-RING, .31 DIA X .03 THICK, CLR ZN	89
CW33996-101	DOUBLE D TUBE END CAP	90
CWWBCN038-007	WASHER, FLAT, TYPE A, 3/8 ID X 13/1	91
CWWALCN038-009	WASHER, SPLIT, 3/8 ID, CLR ZINC	92
CW34758-102	LABEL, PINCH POINT WARNING, RENOVO,	94
CW34750-101	LABEL, REGULATORY, PRONE LEG CURL,	96
CWPD4013-101	LARGE SEAT PAD, RENOVO, BLACK	97.01
CWPD4013-114	LARGE SEAT PAD, RENOVO, CUSTOM	97.02
CWPD4013-118	LARGE SEAT PAD, RENOVO, IMP BLUE	97.03
CWPD4013-122	LARGE SEAT PAD, RENOVO, PAPRIKA	97.04
CWPD4013-131	LARGE SEAT PAD, RENOVO, MAHOGANY	97.05
CWHCCN031-175	SCREW, HEX, GR 5, 5/16-18 X 1 3/4 C	99
CW33966-103	ASSEMBLY, CAST DROP DOWN, TOP	100
CW50267-101	KIT, WEIGHT STACK LABELS, 170 LB	104
CW34298-101	ASSEMBLY, TOP PLATE, 215 LBS RECTAN	105
CW12112-101	RIVNUT, INSERT, HEX, 1/4-20	106
CW34788-101	LABEL PLACARD, WATER BOTTLE, WEIGHT	107
CWCLNP137-625	ASSY, CABLE, PRONE LEG CURL, RENOVO	108
CW11095-107	CAP, PLASTIC, HEYCO, DOME PLUG, 0.3	109
CWMGCN016-050	SCREW, MCH, 8-32 X 1/2, PANHD, PHIL	111
CW34373-101	LABEL, CABLE BOLT WARNING STRENGTH,	115
CW34073-102	PRECOR BADGE, BACK	116
CW34074-101	REAR COVER SNAP	117
CWWBTN038-007	WASHER, FLAT, TYPE A, SAE, 3/8 ID	125
CW34341-101	BOTTOM, EDGE COVER, RAIL, LEFT, SIL	130.01
CW34341-103	BOTTOM, EDGE COVER, RAIL, LEFT, AMA	130.02
CW34341-102	BOTTOM, EDGE COVER, RAIL, RIGHT, SI	131.01
CW34341-104	BOTTOM, EDGE COVER, RAIL, RIGHT, AM	131.02
CW35978-101	DBL PULLY BRKT, FORMED PLATE, 10GA(.1	160
CWAC1009-101	PULLEY, 4 1/2 DIA X 1/2 ID	161
CWHCCN050-200	SCREW, HEX HEAD, ZN, 1/2-13 X 2.0	162
CWKACN050-031	LOCKNUT, HALF, 1/2-13, ZN	163
CWWBCN050-010	WASHER, FLAT, TYPE A, NARROW, 1/2 I	164
CW35980-101	SPACER, ALU, .166 ID X .25 OD X .875	165
CWMGCN016-150	SCREW, MCH, 8-32 X 1-1/2, PANHD,	166
CWWAMCN016-020	WASHER, LOCK, EXT TOOTH, #8	167
CW35085-101	LABEL, PIVOT POINT, C-LINE	170
CW34913-102	ASSY, SELECTOR ROD, LEG EXT/CURL	175
CW50271-101	KIT, DROP DOWN WEIGHTS.	250
CW50274-101	KIT, CAM STOP, PRONE LEG CURL	255
CW50288-101	KIT, POP PIN, DROP DOWN WEIGHT	256
CW35145-101	CUT PIECE CREPE, .06" THICK	257
CW10231-138	SPRING, COMP, .625 OD X .2.656 L X .0	258
CW58003-101	KIT, CAM STOP, C606EC, PRONE LEG CU	258
CW33889-101	BAR, RND, .375 DIA., LINK ROD, LEG EXT	259
CW33952-101	1AR, 1.50 HEX, RETAINER, LEG EXT/CUR	260
CW33953-102	BAR, RND, 1.00 DIA, PULL KNOB FITTIN	261
CW33958-103	BAR, RND, .75 DIA., PULL KNOB TIP, LEG	262

CW34348-101	KNOB, ADJUSTMENT,POP PIN	263
CW11095-111	CAP, PLASTIC, HEYCO, PRY OUT PLUG,	265